



Frame Modular Seating

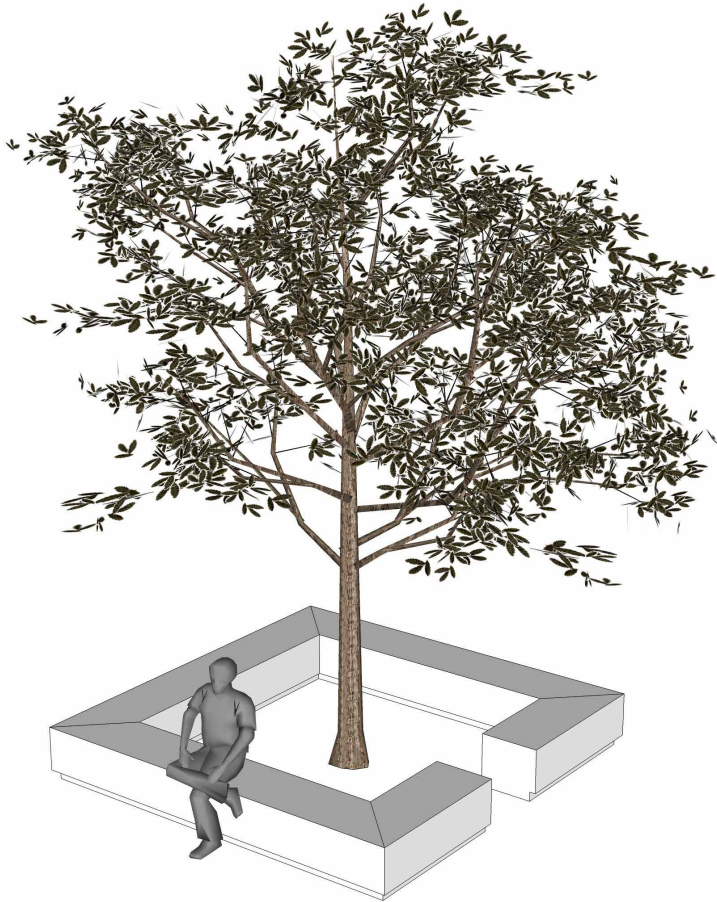
Add form and function to your outdoor spaces with Frame the perfect seat to highlight any external features.

Sui Generis is the leading composite mouldings company that creates standard and bespoke designs.

GeoMet

Seating, water features & planters

01206 798 798 www.suigeneris.co.uk/landscape



Frame Modular Seating

Ultra contemporary in design
Frame creates the ultimate structure to
show off any outdoor features,
whilst also providing a comfortable seat.

Frame can be made in any BS/RAL
colour to match any colour scheme or
corporate interior.

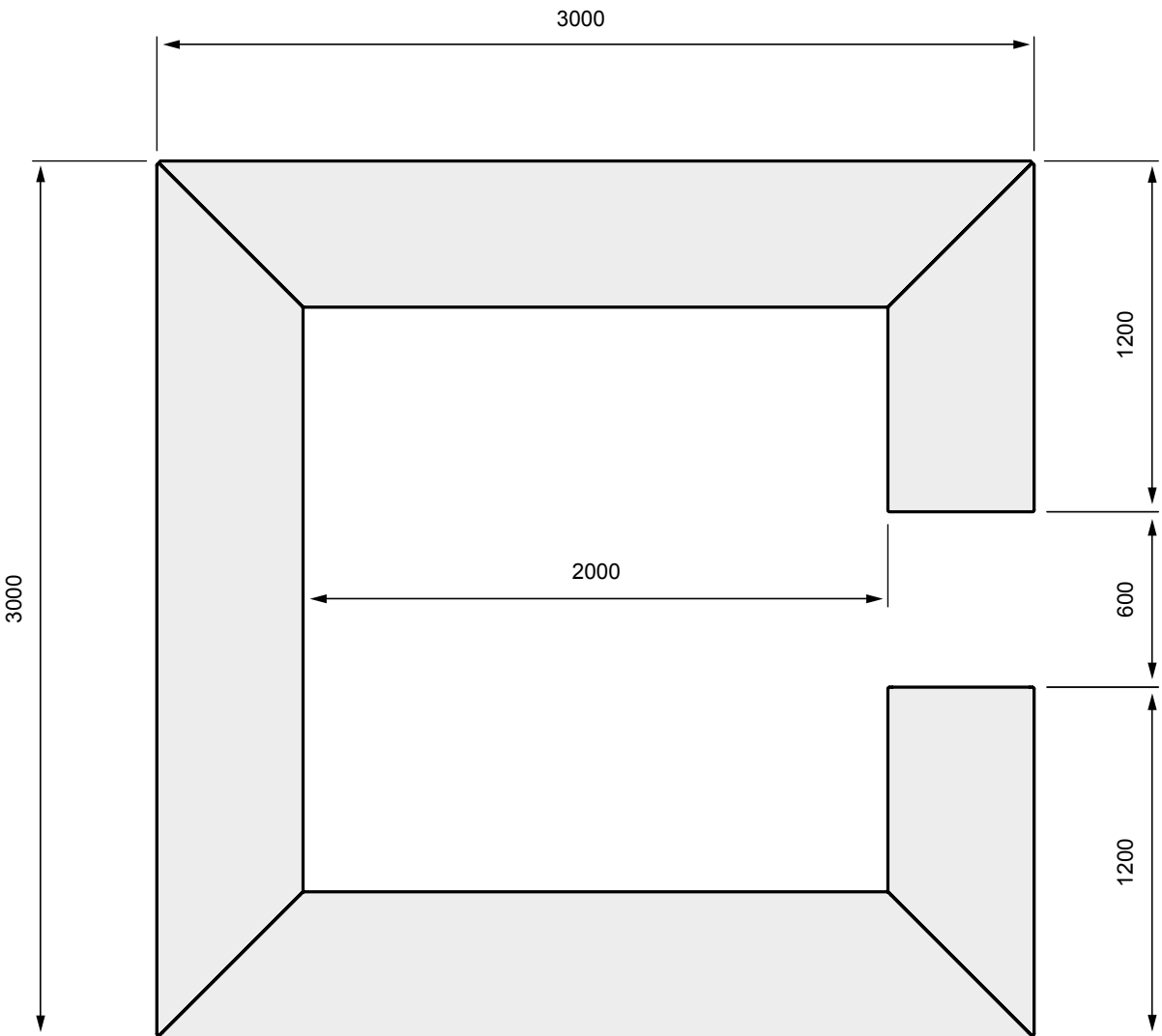
Frame is easy to install as it's lightweight
and modular in construction.

Installation service available.

Trade discounts available.

SGF108 square seating arrangement

Frame - 5 seat arrangement - all sizes in mm's



Components:

5 x seats to complete a square with access to centre.

Principal Material:

Composite moulded.

Dimensions:

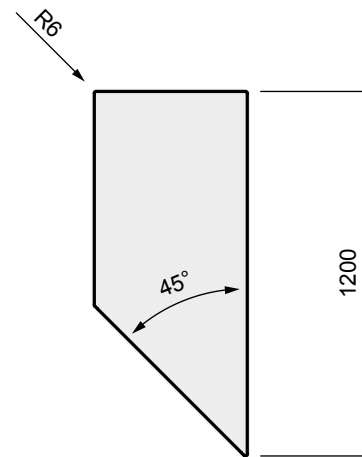
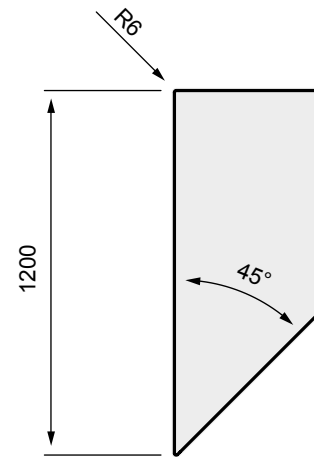
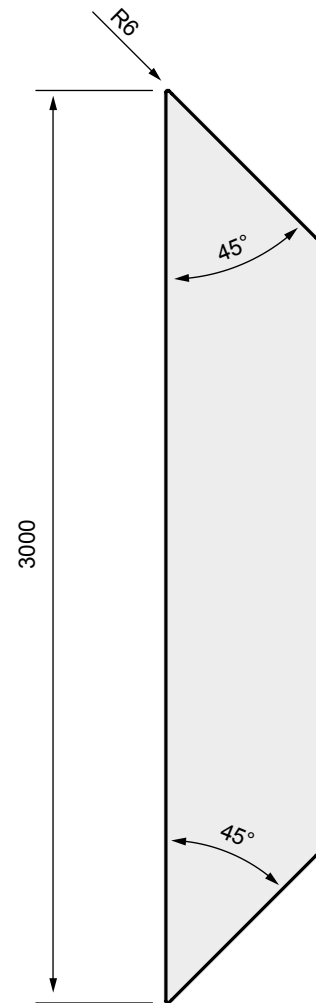
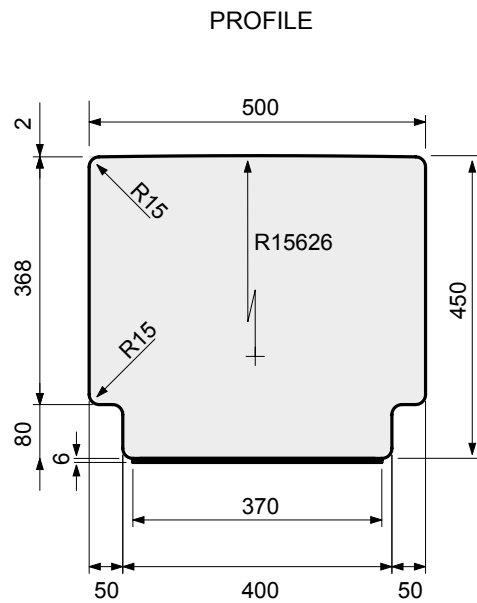
3 x 3000mm long,
2 x 45° ends 1200mm long.

Colour:

Any BS/RAL colour.

Supply options:

- 1. **Weighted:** Modules supplied weighted to prevent people from easily moving installations to another area. Weighted modules are ideal if you would like the flexibility to move seating at a later date and the security that they will be safe.
- 2. **Un-weighted:** This supply option offers the utmost in flexibility and is ideal for domestic use or in areas where you want to move seats quickly and easily, such as events/exhibition spaces.
- 3. **Fitted with anchor bolts:** Modules are complete with anchor bolts for permanent fixing - ideal for public open spaces or where security may be an issue.



3 metre seat segment

Principal Material:
Composite moulded.

Dimensions:
3 x 3000 long x 500 x 456mm high,
with 45° ends.

Colour:
Any BS/RAL colour.

Each 3.3m section can be supplied:

1. Not Applicable.
2. Un-weighted with rubber anti-slide base. Approx. 55 kgs.
3. Fitted with anchor bolts for permanent fixing. Approx. 45 kgs.

1.2 metre seat segment

Principal Material:
Composite moulded.

Dimensions:
2 x 1200 long x 500 x 456mm high,
with 1 45° end.

Colour:
Any BS/RAL colour.

Each 1.34m section can be supplied:

1. Weighted with a rubber anti-slide base. Approx. 45 kgs.
2. Un-weighted with rubber anti-slide base. Approx. 22 kgs.
3. Fitted with anchor bolts for permanent fixing. Approx. 18 kgs.

The GeoMet Range

GeoMet is a stunning collection of geometrically-shaped modular furniture pieces ideal for urban environs, recreational spaces and large-scale commercial interiors.

The range has been designed for mix and match use or pieces can be used standalone.

Each piece in the GeoMet collection is handmade by highly skilled craftspeople based in the UK. The entire range is composite moulded which is the perfect outdoor furniture material as it's weatherproof, lasts a lifetime and requires minimum maintenance.

At Sui Generis we can create pieces in any colour, shape or size.

GeoMet

Sui Generis International Ltd

The Chandler Centre
Hythe Quay
Colchester
CO2 8JF

Tel: 01206 798 798
Fax: 01206 866 666
Email: info@suigeneris.co.uk
www.suigeneris.co.uk

For more about Frame seating:
www.suigeneris.co.uk/frameseat

For more about Sui Generis' seating, planters and water features visit:
www.suigeneris.co.uk/landscape

www.facebook.com/SuiGenerisGeoMet