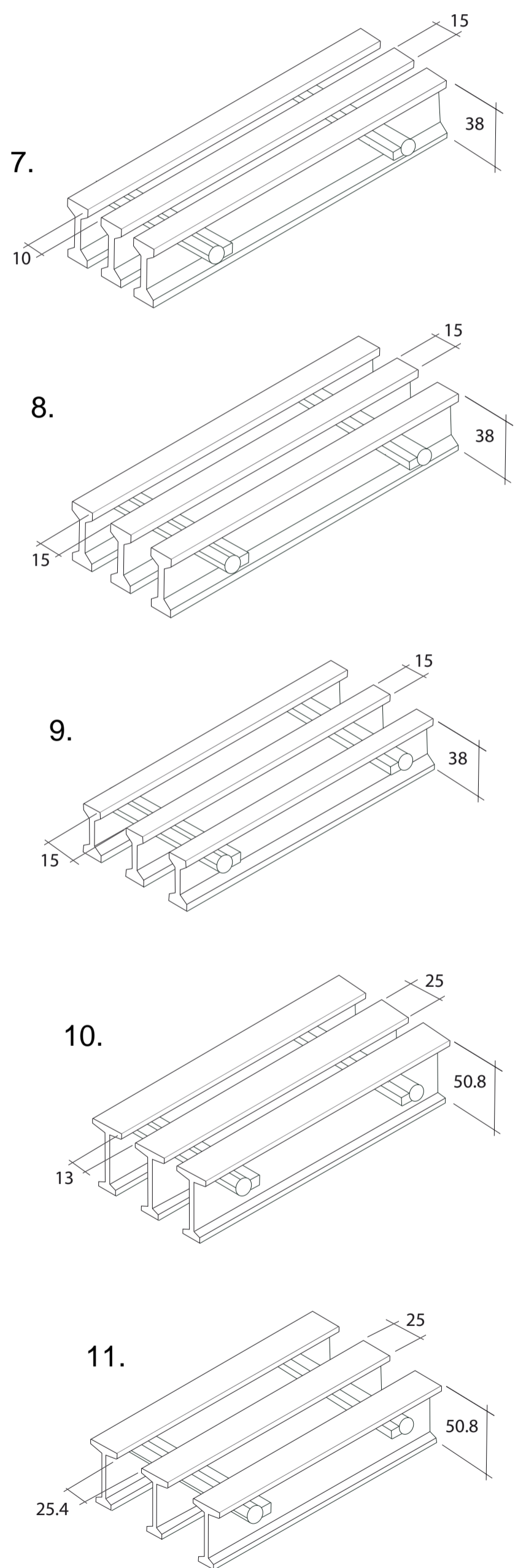
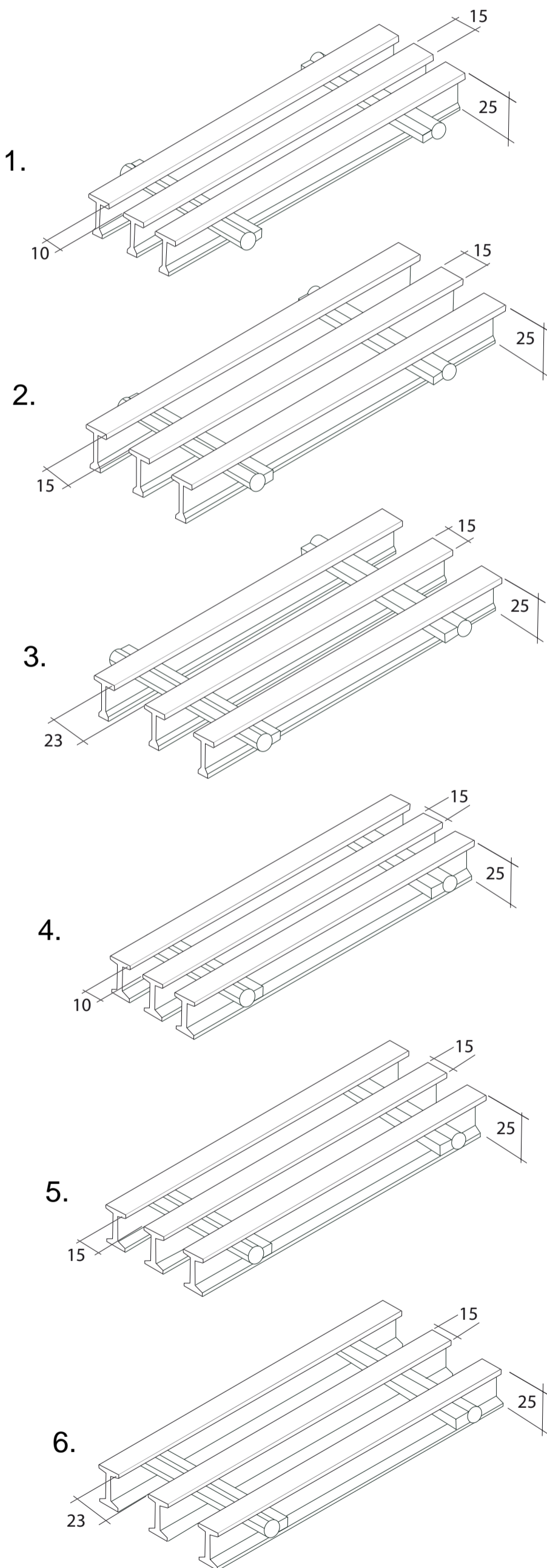


## FRP PULTRUDED GRATING

+44 (0) 1206 798 798

## Panel Sizes for Pultruded Grating

Item No.	Type	Height	Standard Panel Size		Open Area	Weight (kg/m <sup>2</sup> )
			Width	Length		
1	T/4025	25	915 / 1220	2440 / 3050 / 3660 / 6100	40%	12.0
2	T/5025	25	915 / 1220	2440 / 3050 / 3660 / 6100	50%	10.5
3	T/6025	25	915 / 1220	2440 / 3050 / 3660 / 6100	60%	8.5
4	I/4025	25	915 / 1220	2440 / 3050 / 3660 / 6100	40%	16
5	I/5025	25	915 / 1220	2440 / 3050 / 3660 / 6100	50%	14
6	I/6025	25	915 / 1220	2440 / 3050 / 3660 / 6100	60%	10.6
7	I/4038	38	915 / 1220	2440 / 3050 / 3660 / 6100	40%	23.6
8	I/5038	38	915 / 1220	2440 / 3050 / 3660 / 6100	50%	20
9	I/6038	38	915 / 1220	2440 / 3050 / 3660 / 6100	60%	16.6
10	T/3350	50	915 / 1220	2440 / 3050 / 3660 / 6100	33%	21
11	T/5050	50	915 / 1220	2440 / 3050 / 3660 / 6100	50%	16.5



## 1. Tolerance per full panel:

+/- 3mm in length and width direction

+/- 1.5mm in thickness direction

Warp tolerance:

Length: 4.5mm per metre

Width: 2.5mm

## 2. Tolerance for cutting:

Length: +/- 5mm

Width: +/- 5mm

Circle: +/- 2mm